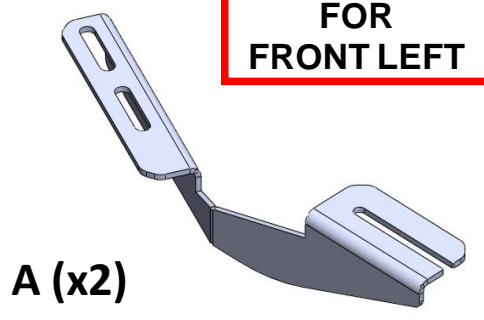
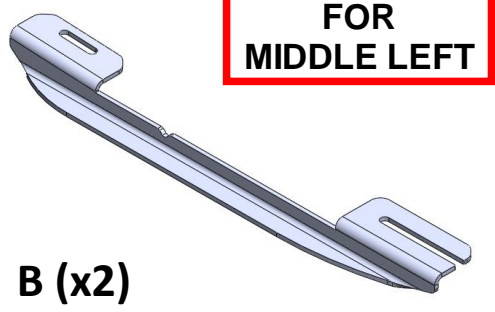


FOR FRONT LEFT



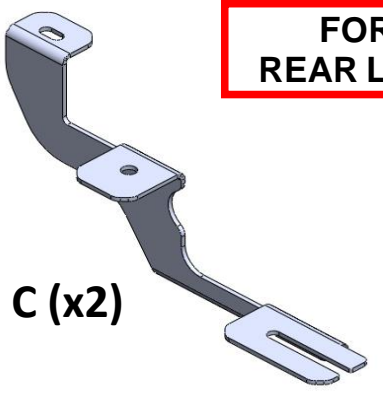
A (x2)

FOR MIDDLE LEFT

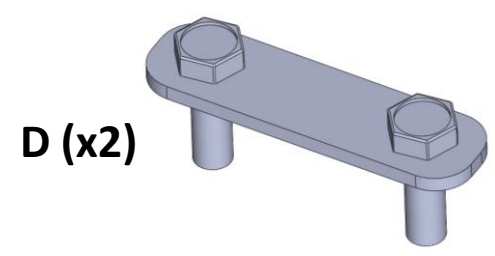


B (x2)

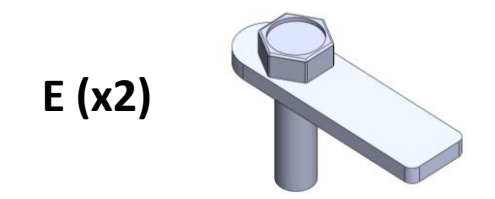
FOR REAR LEFT



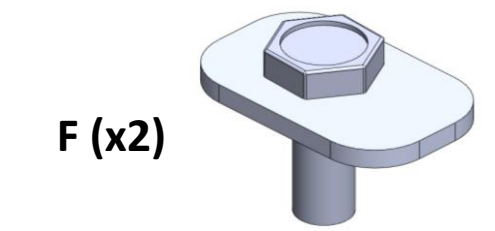
C (x2)



D (x2)

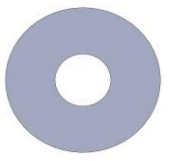


E (x2)

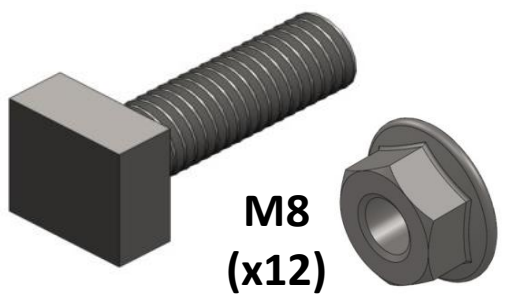


F (x2)

**M8 (x4)
M10 (x6)**



**M8 (x4)
M10 (x6)**



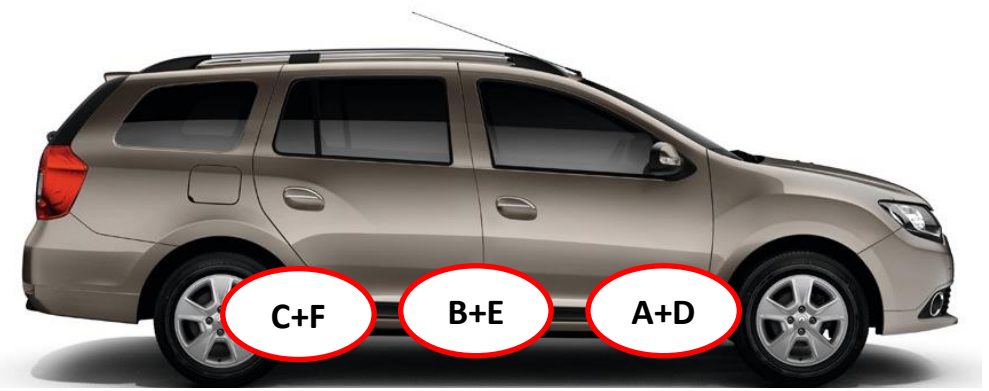
M8 (x12)



ERKUL[®]
Products & Quality



**DACIA LOGAN MCV 2014 →
RUNNING BOARD**



instructions

FRONT BRACKET

MIDDLE BRACKET

REAR BRACKET

F1

D



M1



R1

F



F2

E



M2



R2



F3

A



M3

B



R3

C

