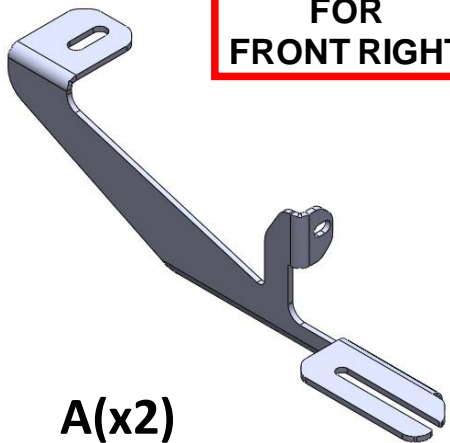
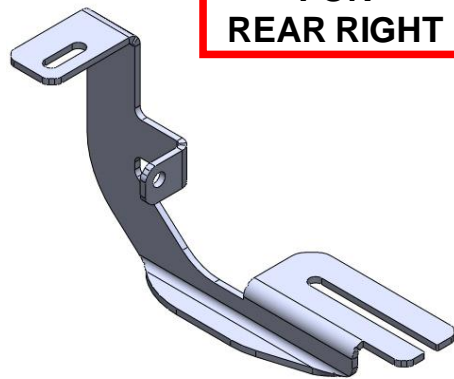


FOR
FRONT RIGHT



A(x2)

FOR
REAR RIGHT



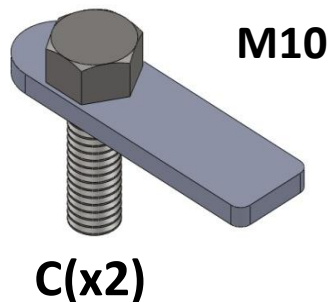
B(x2)



ERKUL[®]
Products & Quality



PEUGEOT 2008 2013-2019 RUNNING BOARD

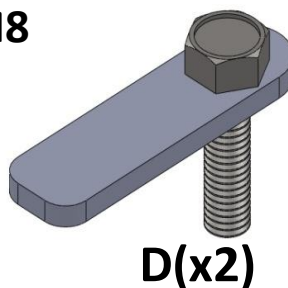


M10

C(x2)



M8



D(x2)



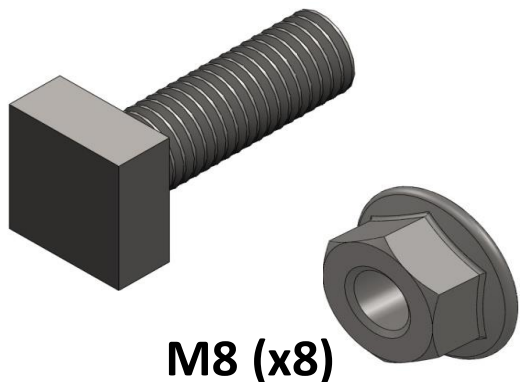
M8 (x10)

M10 (x2)



M8 (x6)

M10 (x2)



M8 (x8)

M8

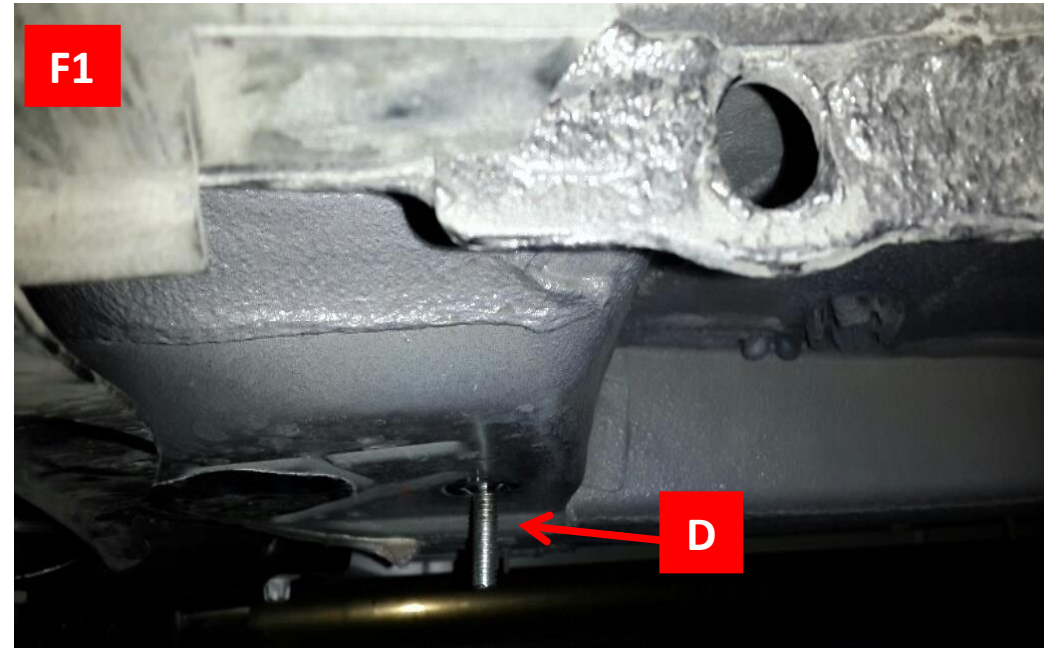
E(x4)



instructions

FRONT BRACKET

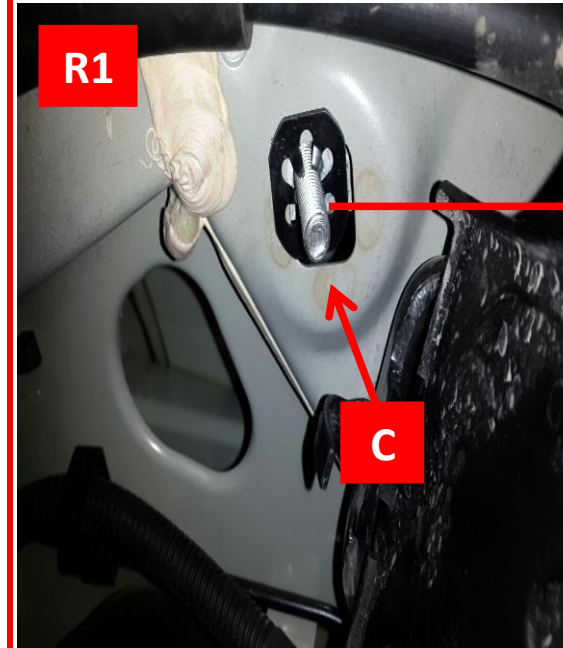
F1



D

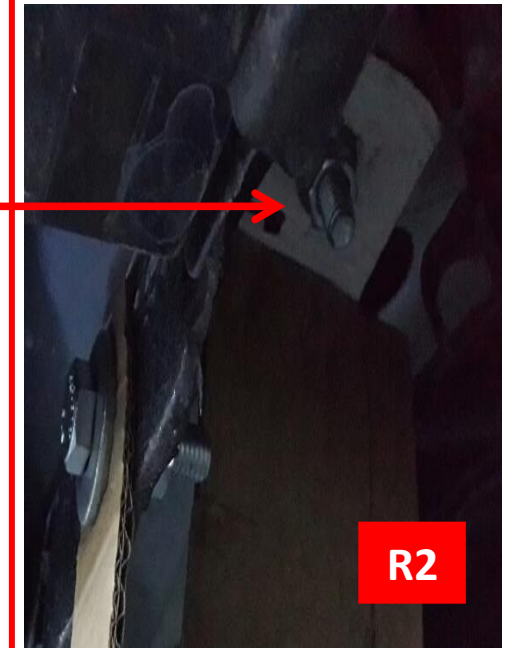
REAR BRACKET

R1

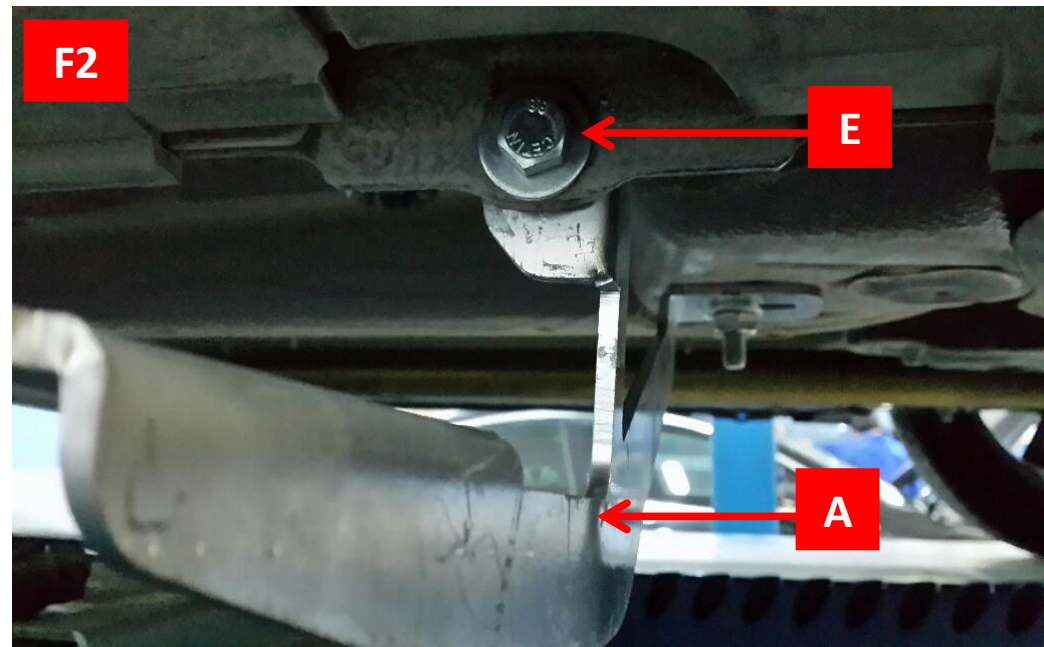


C

R2



F2



A

E

R3



B

E