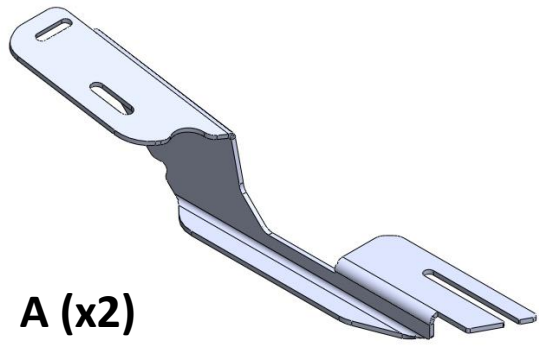
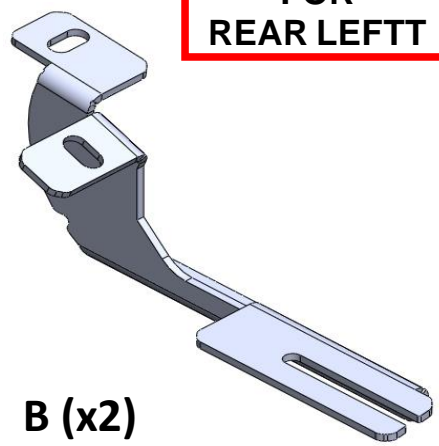


**FOR
FRONT LEFT**



A (x2)

**FOR
REAR LEFT**



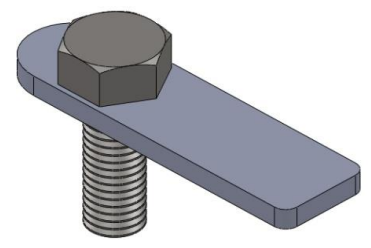
B (x2)



EKUL[®]
Products & Quality



**SUBARU FORESTER 2013 →
RUNNING BOARD**

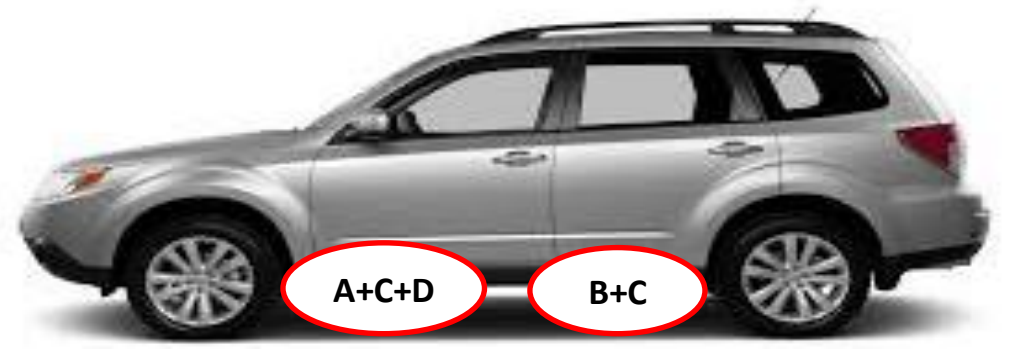


C (x6)

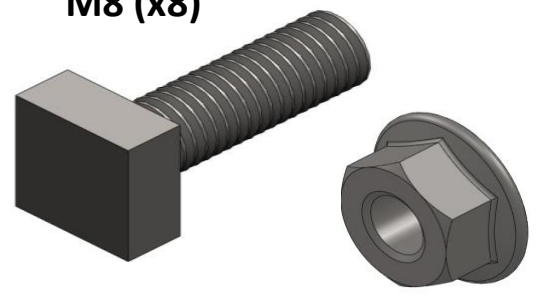
M10



D M6X20 (x2)



M8 (x8)

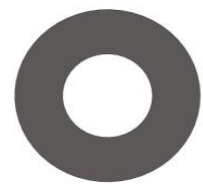


M10 (X6)



M10 (X6)

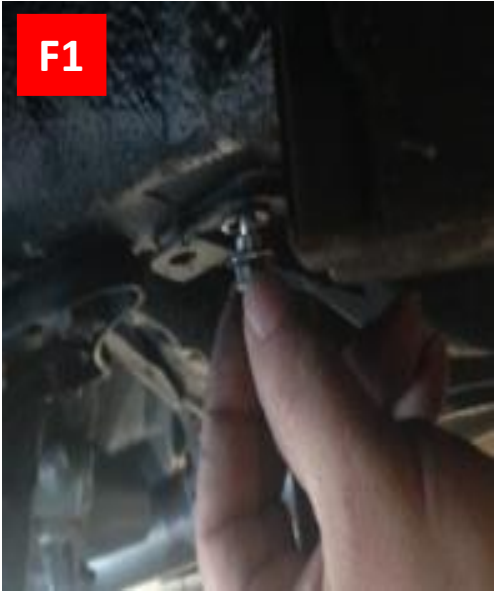
M6 (X2)



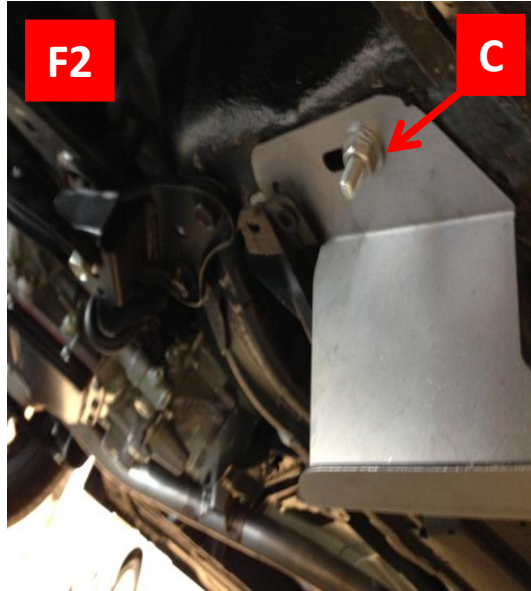
instructions

FRONT BRACKET

F1



F2

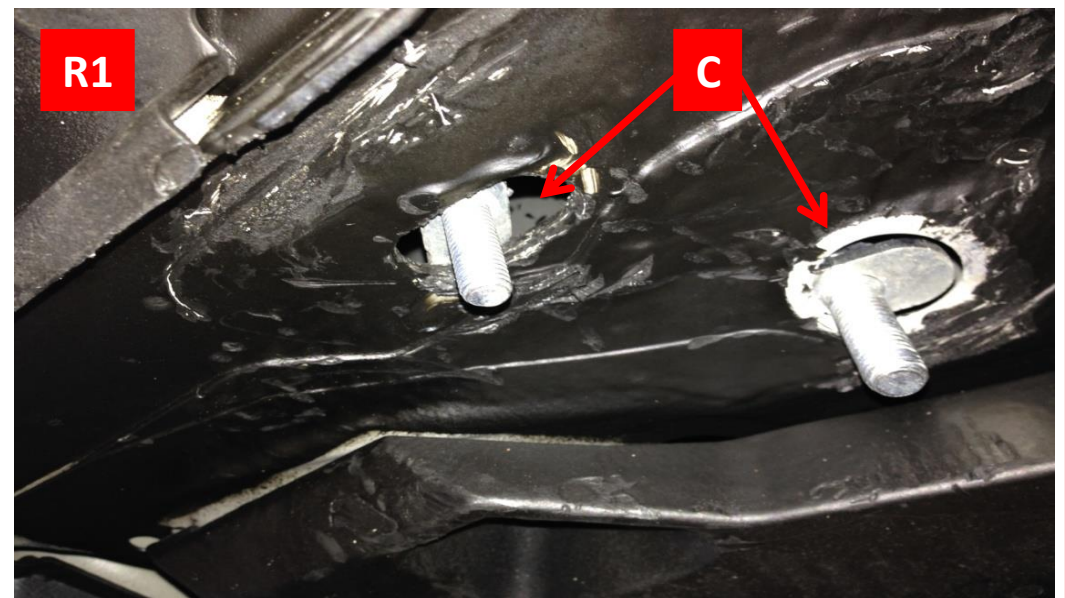


F3



REAR BRACKET

R1



R2

