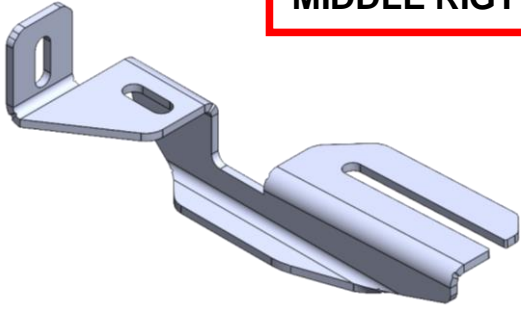
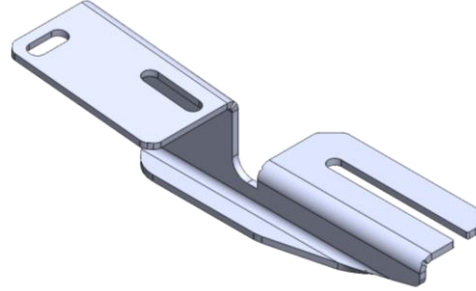


FOR  
FRONT RIGHT  
MIDDLE RIGT



A (x4)

FOR  
REAR RIGHT



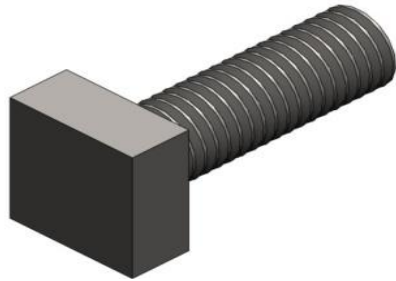
B (x2)



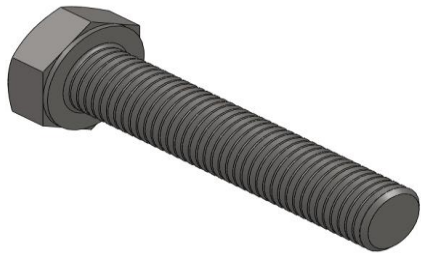
**ERKUL**<sup>®</sup>  
Products & Quality



**CHEVROLET CAPTIVA 2006-2016**  
**OPEL ANTARA 2007-2015**  
**RUNNING BOARD**



M8 (x12)



M8x25 (x8)

M8 (x4)



M8 (x12)



**instructions**





**FRONT BRACKET**

**MIDDLE BRACKET**

**REAR BRACKET**

