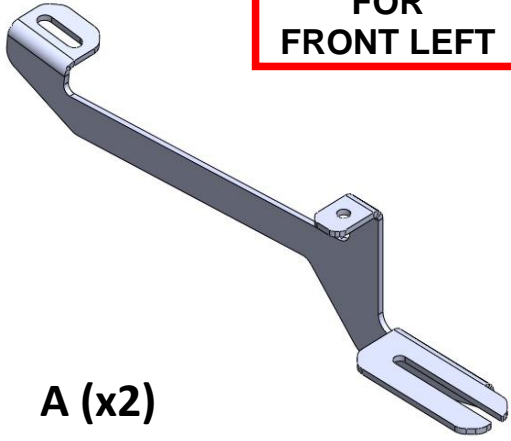
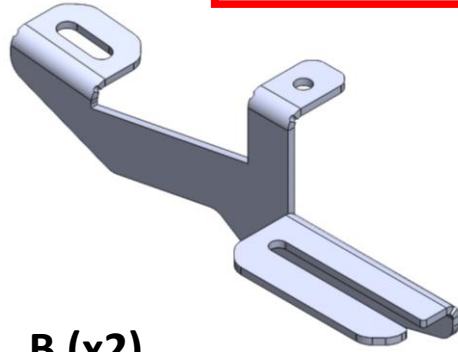


FOR
FRONT LEFT



A (x2)

FOR
REAR LEFT



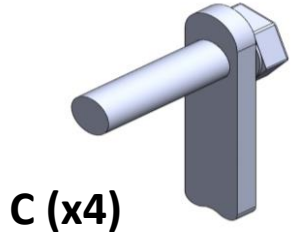
B (x2)

eh

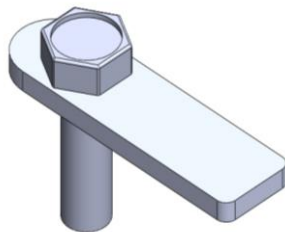
ERKUL[®]
Products & Quality



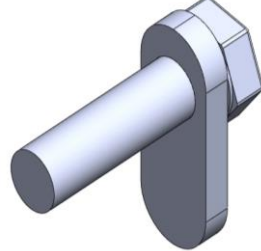
**FIORINO / QUBO / BIPPER
/ NEMO 2008 →
YAN BASAMAK / SIDE BAR**



C (x4)



D (x2)

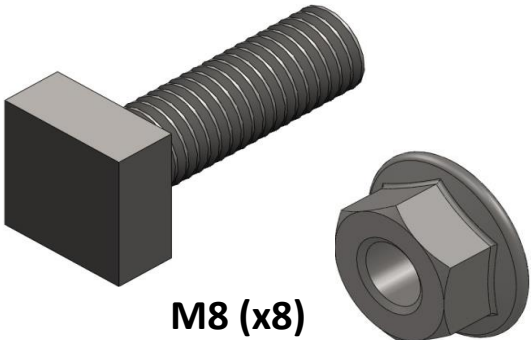


E (x2)



M10 (x2)

M6 (x6)



M8 (x8)



instructions





FRONT BRACKET



REAR BRACKET

