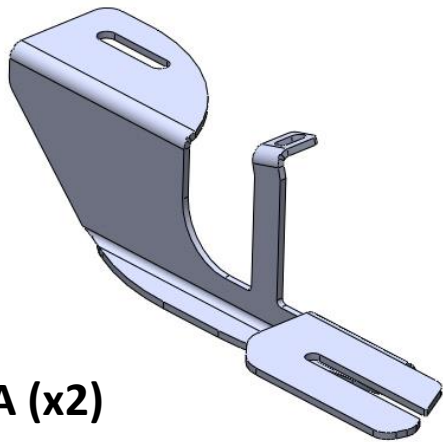
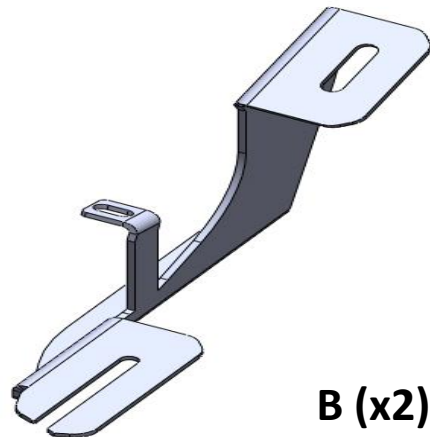


FOR
FRONT RIGHT

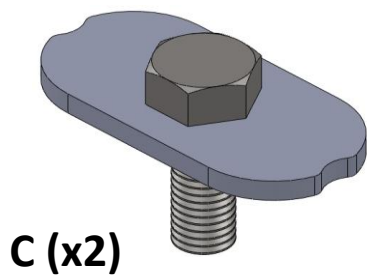


A (x2)

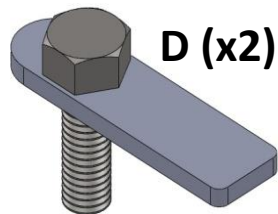
FOR
REAR RIGHT



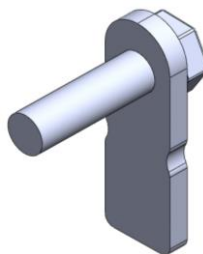
B (x2)



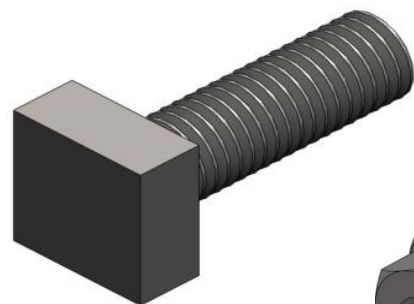
C (x2)



D (x2)



E (x4)



M8 (x8)



M8(x4)

M10 (x4)



FREELANDER II 2007 → RUNNING BOARD



instructions

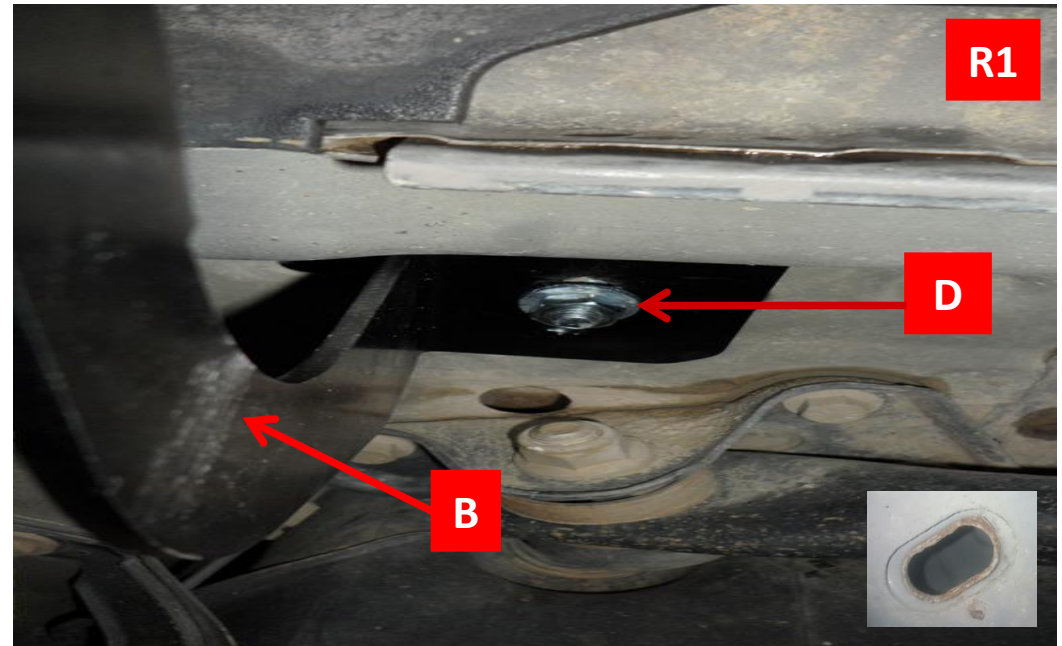
FRONT BRACKET

F1



REAR BRACKET

R1



F2



R2

