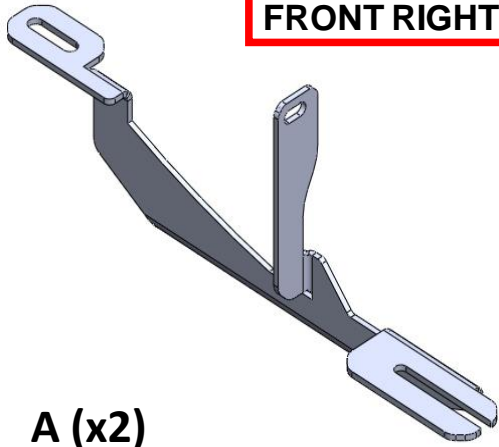
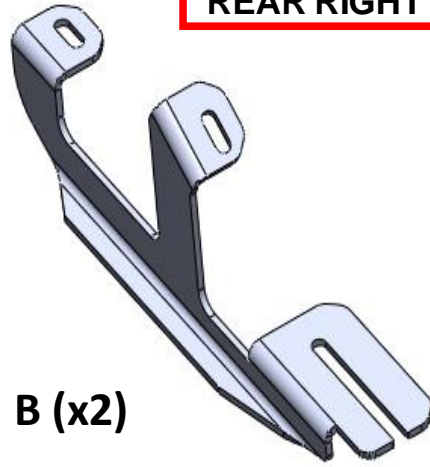


**FOR
FRONT RIGHT**

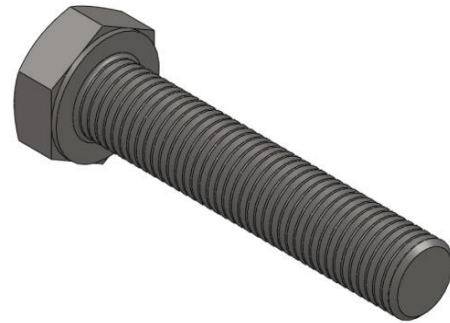


A (x2)

**FOR
REAR RIGHT**

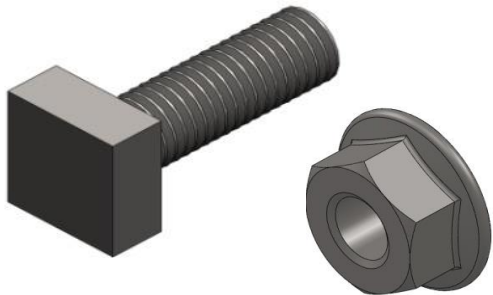


B (x2)



D M8x30 (x8)

M8 (x8)



M8 (8)



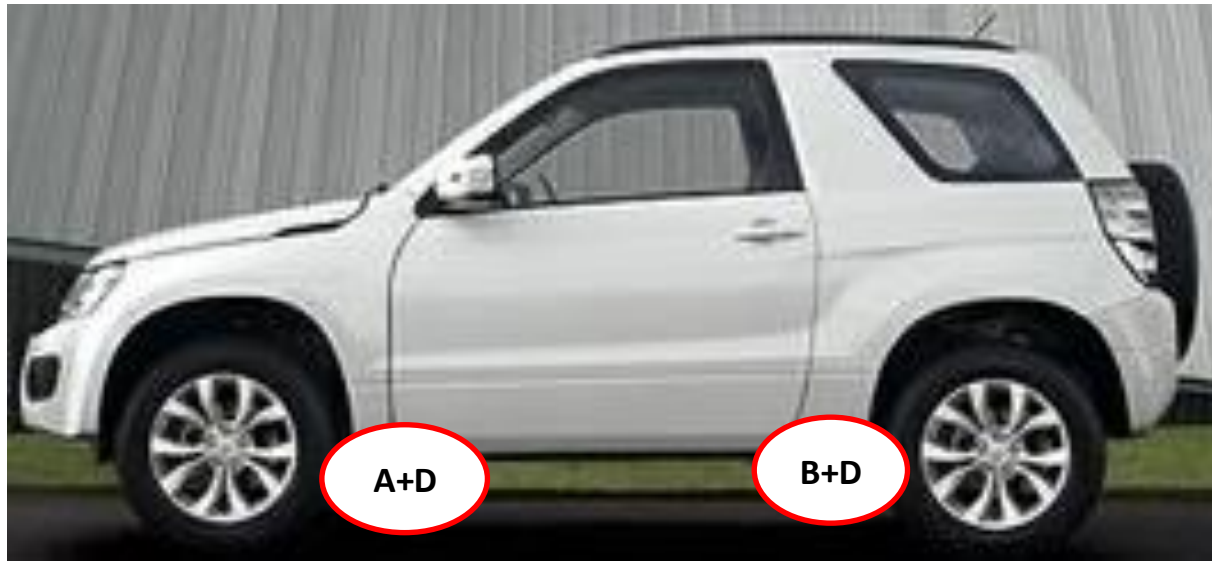
ERKUL[®]
Products & Quality



**SUZUKI GRAND VITARA 3 DOOR
2006 →
RUNNING BOARD**



instructions



FRONT BRACKET

REAR BRACKET

