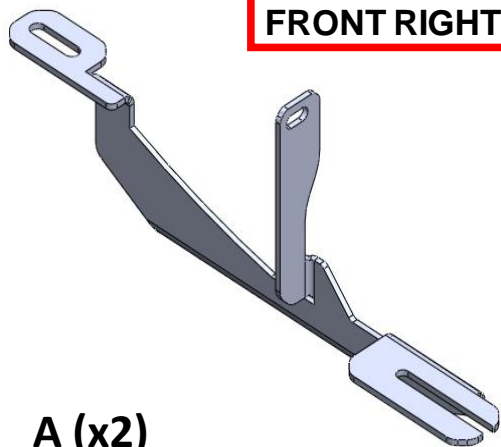
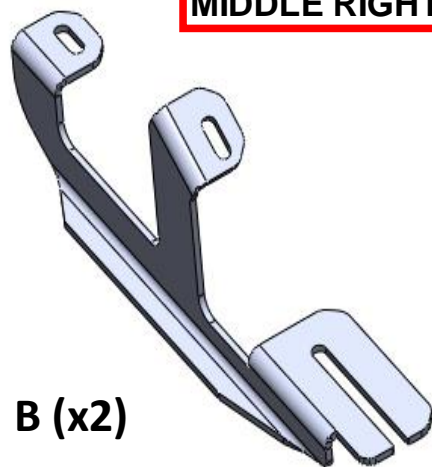


**FOR
FRONT RIGHT**



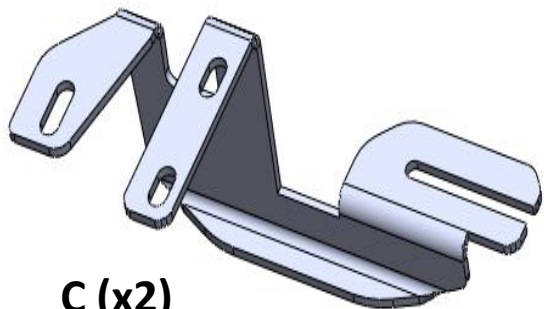
A (x2)

**FOR
MIDDLE RIGHT**

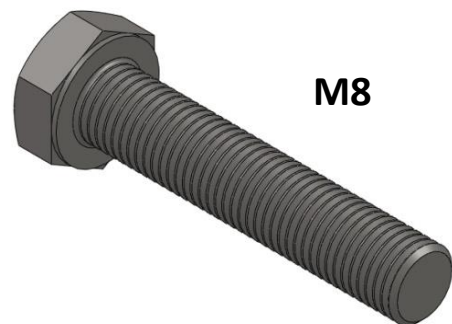


B (x2)

**FOR
REAR RIGHT**



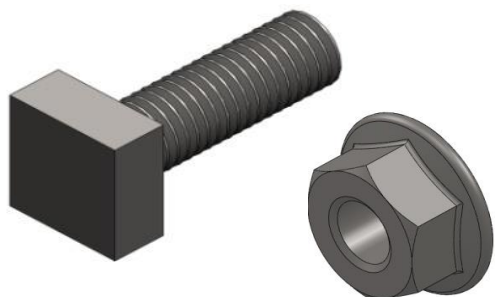
C (x2)



M8

D M8x30 (x14)

M8 (x12)



M8 (14)



ERKUL[®]
Products & Quality



**SUZUKI GRAND VITARA 5 DOOR
2006 →
RUNNING BOARD**



instructions



FRONT BRACKET

MIDDLE BRACKET

REAR BRACKET

