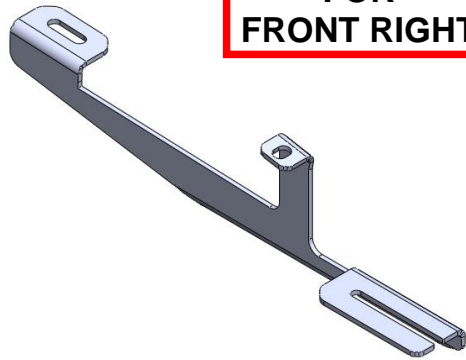
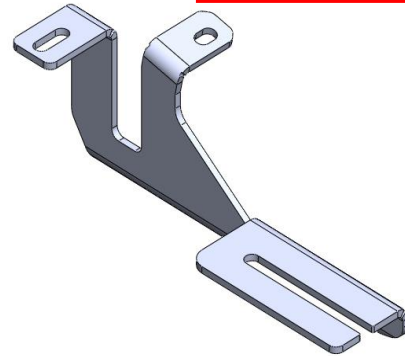


FOR
FRONT RIGHT

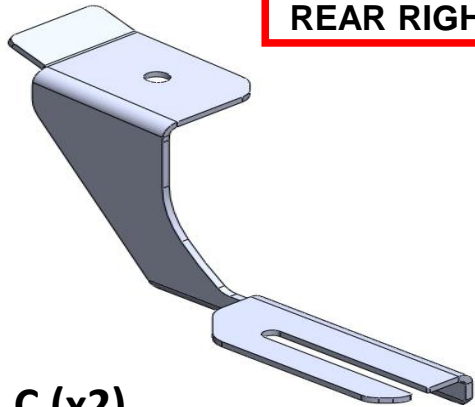


A (x2)

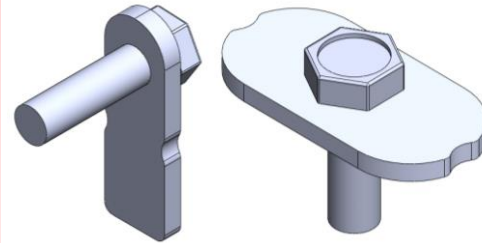
FOR
MIDDLE RIGHT



FOR
REAR RIGHT



C (x2)

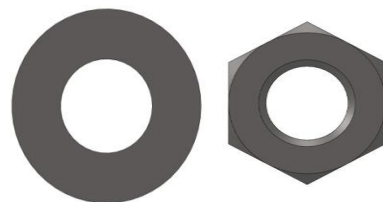


D (x8)

E (x2)



M10 (x2)
M8 (x8)



M8 (x12)



ERKUL[®]
Products & Quality



OPEL MOKKA 2012-2019 RUNNING BOARD



instructions

FRONT BRACKET

MIDDLE BRACKET

REAR BRACKET

