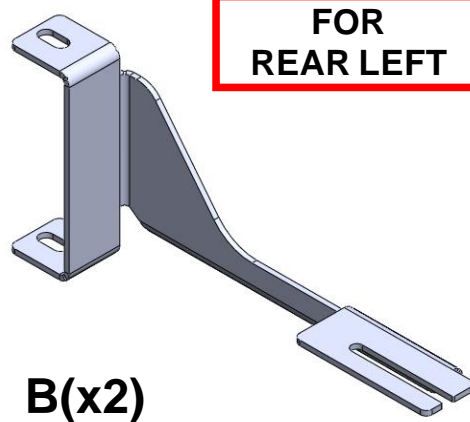
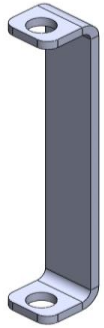


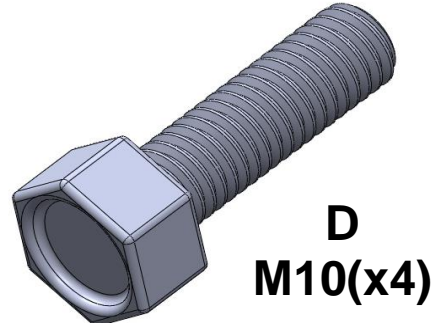
A(x2)



B(x2)



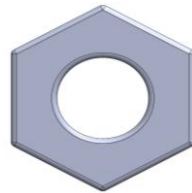
C(x2)



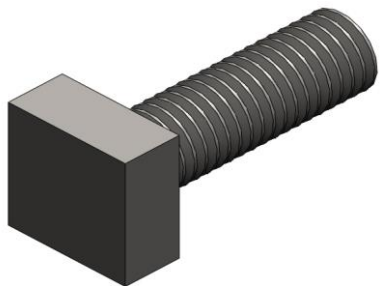
D  
M10(x4)



M10 (x8)



M10 (x4)



M8 (x8)



**ERKUL**<sup>®</sup>  
Products & Quality

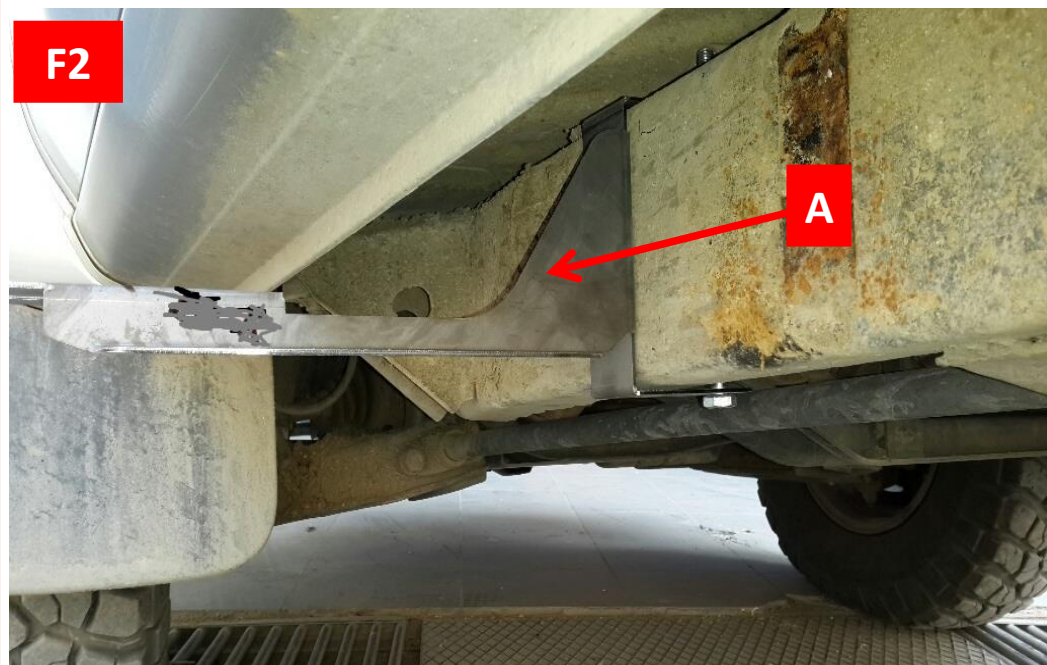


# NISSAN SKYSTAR / NP300 RUNNING BOARD



# instructions

# FRONT BRACKET



# REAR BRACKET

